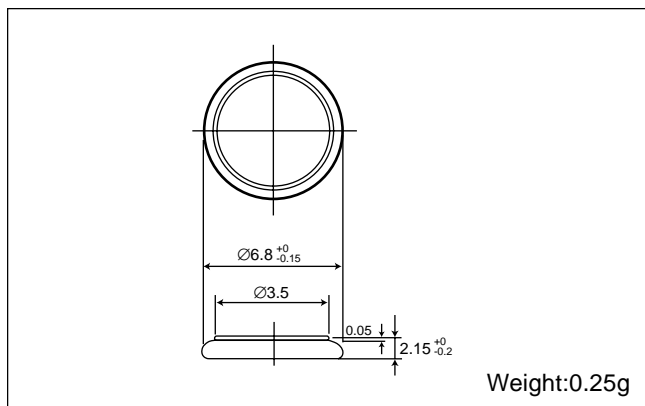


Manganese Titanium Lithium Rechargeable Batteries (MT series): Individual Specifications

MT621

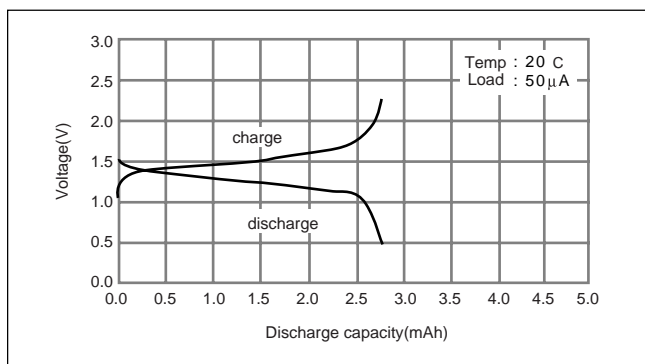
■ Dimensions(mm)



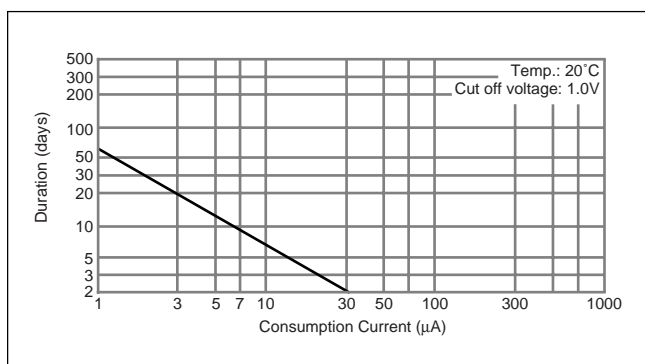
■ Specification

Nominal voltage (V)	1.5
Nominal capacity (mAh)	2.5
Continuous standard load (mA)	0.05
Operating temperature (C)	-20 ~ +60

■ Charge / discharge characteristics

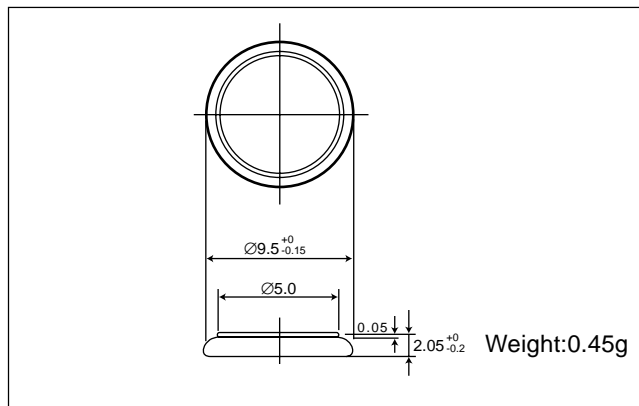


■ Consumption current vs. Duration time



MT920

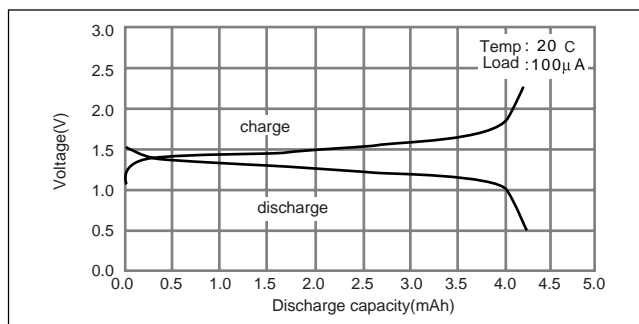
■ Dimensions(mm)



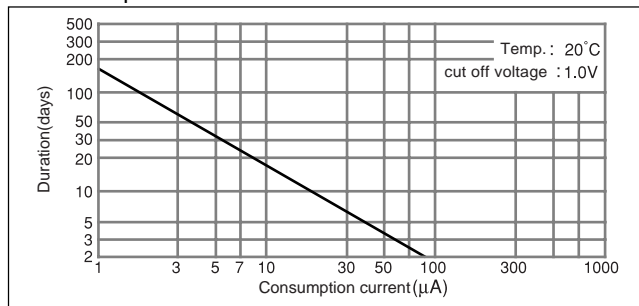
■ Specification

Nominal voltage (V)	1.5
Nominal capacity (mAh)	4.0
Continuous standard load (mA)	0.10
Operating temperature (C)	-20 ~ +60

■ Charge / discharge characteristics



■ Consumption current vs. Duration time



■ Discharge characteristics

